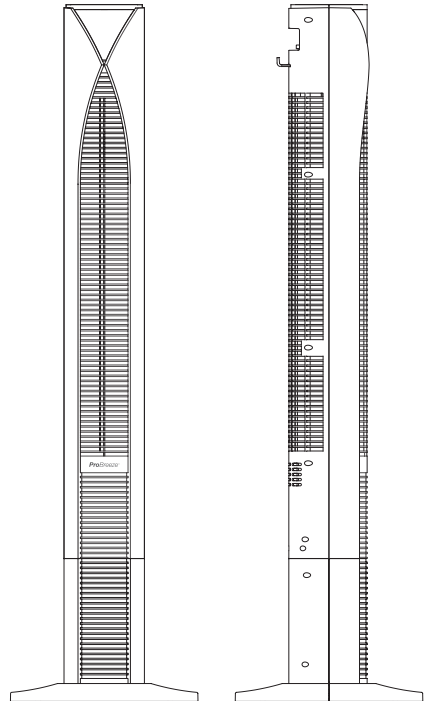


ProBreeze®

Instruction Manual



Model PB-F16-UK

46" Tower Fan

IMPORTANT INSTRUCTIONS
- RETAIN FOR FUTURE USE

Thank you for choosing to purchase a product from Pro Breeze. Please read the entire manual carefully prior to first use and keep in a safe place for future reference.

SAFETY INSTRUCTIONS

- Use this appliance only as described in this manual. Any other use not recommended by the manufacturer may cause fire, electric shock, or injury to persons.
- The appliance is not to be used by persons (including children) with reduced physical, sensory or mental capabilities, or lack of experience and knowledge, unless they have been given supervision or instruction.
- The appliance must have a minimum 50cm clearance around all sides of the appliance. Take care that curtains or other objects are not sucked into the fan during operation.
- Children must be supervised not to play with the appliance.
- Children of less than 3 years should be kept away unless continuously supervised.
- Do not leave children alone or unattended in the area where the appliance is in use.
- Cleaning and user maintenance shall not be made by children unless continuously supervised.
- Place the appliance on a flat, stable and dry surface and always keep the appliance in an upright position. Operating the product in any other position could cause a hazard.
- Do not cover the appliance or restrict the air flow of the inlet or exhaust grills whilst in use.
- Do not use this appliance to dry clothes.
- Do not use the appliance in high humidity or steam filled rooms.
- Do not use this appliance near water or in the immediate surroundings of a bath, a shower or a swimming pool.
- Do not allow water or other liquids to run into the interior of the appliance, as this could create a fire and/or electrical hazard.
- This appliance is intended for indoor household use and similar applications. Do not use outdoors.
- Always turn the appliance off and disconnected from the power supply when not in use.
- Do not use the fan while sleeping or place it near a person who is sleeping.
- Never place anything on top of the appliance.
- Do not operate the appliance with wet hands.
- Never touch the fan blades during use.
- Do not use any abrasive cleaners or solvents, as this will damage the appliance.
- Ensure the appliance is switched off and the power cord is unplugged from the electrical outlet before cleaning, servicing, or relocating the appliance.
- Never insert fingers or metal objects into the vents and openings of the fan.
- Do not push any objects in the air inlet and outlet grills as this may cause an electric shock, fire or damage the fan.
- Avoid placing the power cord in areas where it can become a tripping hazard.
- Do not place the power cord under carpeting or cover it with rugs, runners or similar.
- To avoid a circuit overload when using this appliance, do not operate another high-wattage appliance on the same electrical circuit.
- Always plug the fan directly into a wall socket. Avoid using extension leads where possible as they may overheat and cause a risk of fire.
- Do not use this appliance with an external programmer, timer switch or any other device which would switch the device on automatically unless this has already been pre-built into the appliance by the manufacturer.
- Do not kink or wrap the power cord and

- plug around the appliance, as this may cause the insulation to weaken or split, particularly where it enters the appliance.
- Do not pull on the mains cable. Never move, carry or hang the appliance by the mains cable.
 - Do not operate the appliance with any safety guards removed.
 - Do not operate the appliance if there are signs of damage to the appliance, power cord, or any of the accessories.
 - Do not operate the appliance with the fan safety guards removed.
 - If the supply cord is damaged, it must be replaced by the manufacturer, its service agent or a similarly qualified person in order to avoid a hazard.
 - Do not attempt to repair or adjust any electrical or mechanical elements in the appliance. Doing so may be unsafe and will void your warranty.
 - Ensure that the mains supply (including voltage, frequency and power) complies with the rating label of the appliance.
 - Do not use the appliance near petrol, paints, flammable gases, ovens, or other heating sources.

BATTERIES

This product is supplied with CR2025 Lithium ion disposable batteries.

PLEASE READ AND SAVE THESE IMPORTANT SAFETY INSTRUCTIONS.

 **WARNING: KEEP BATTERIES OUT OF REACH OF CHILDREN.**

Choking hazard. Do not swallow. Harmful if swallowed. Swallowing can lead to chemical burns, perforation of soft tissue, and death. Severe burns can occur within 2 hours of ingestion. **If you suspect your child has swallowed a battery seek medical attention immediately.**

- This product only uses a CR2025 Lithium ion battery. It is not compatible with other

battery types.

- Do not allow children to handle batteries.
- Ensure that the battery is installed with the correct polarity (+ and -).
- Remove exhausted battery promptly.
- Always inspect new batteries before use. Damaged or weak batteries may leak acid. Discontinue use if batteries show signs of leakage, damage, or weakness at any time.
- Ensure the battery compartment is correctly and securely closed after installing the batteries.
- Wash hands after handling batteries.
- Disposable batteries are not rechargeable and must be recycled or disposed of properly. Do not throw batteries away with household waste. Always dispose of batteries at an official collection point.

SPECIFICATIONS

Product Dimensions: 31.5 x 31.5 x 117cm

Net Weight: 3.66kg

Voltage: 220V - 240V~

Frequency: 50-60Hz

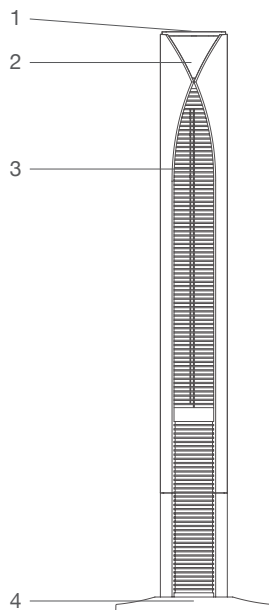
Power: 45W

Noise Level: 54dBA

PARTS

Fan

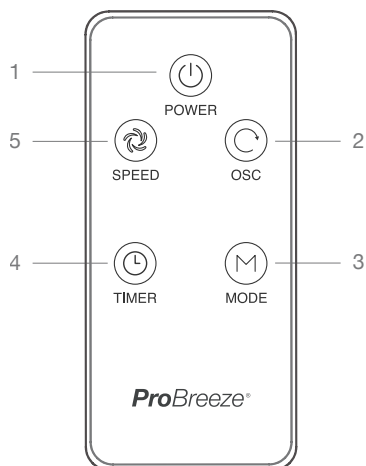
1. Control Panel
2. Display Panel
3. Air Outlet
4. Base



Remote

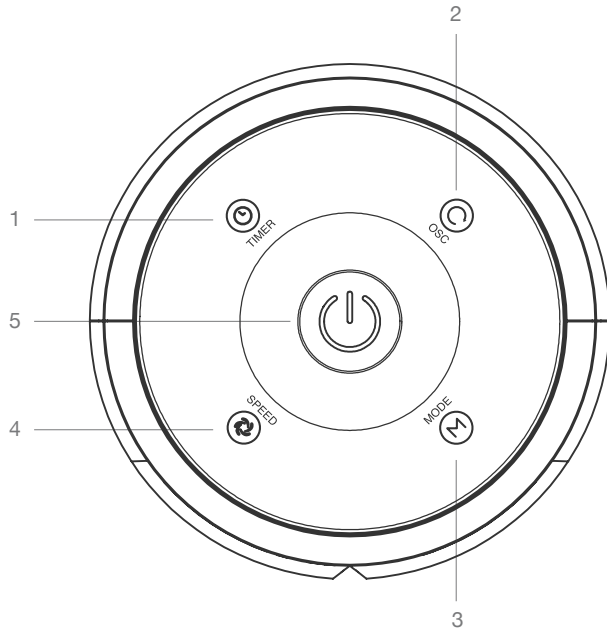
The remote control will work from 5 metres away from the fan.

1. Power On/Off
2. Oscillation
3. Change Mode
4. Timer Mode
5. Change Fan Speed



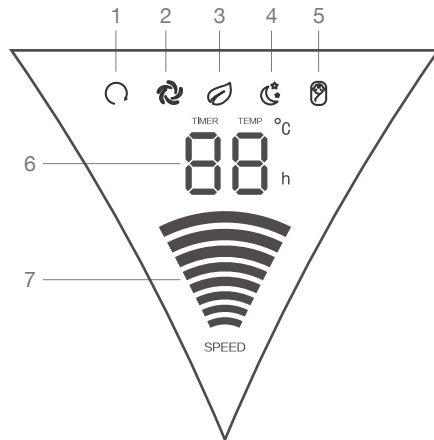
Control Panel

1. Timer Mode
2. Oscillation
3. Change Mode
4. Change Fan Speed
5. Power On/Off



LED Display

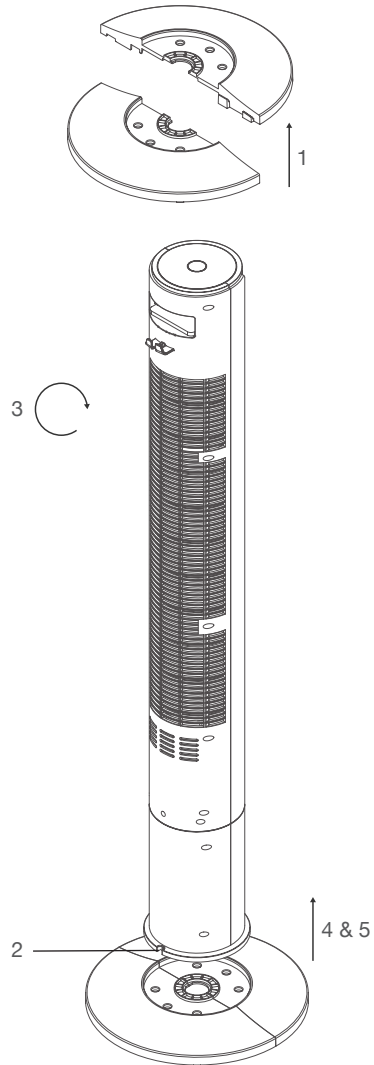
1. Oscillation mode is active
2. Fan Mode is active
3. Natural mode is active
4. Sleep mode is active
5. Child mode is active
6. Room temperature/Time set
7. Fan speed



ASSEMBLY

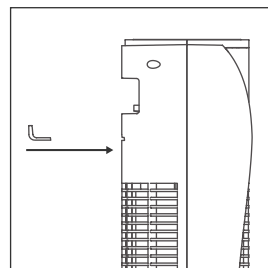
Base

1. The fan base comes in two semi-circular parts. First, slot the two parts together to form the circular base (FIG 1).
2. Lead the power chord through the small indentation on the base of your fan.
3. Turn your fan upside down on a secure, flat surface. Ensure there is sufficient space around you.
4. Align the holes on the base with the screw holes on the bottom of your fan. It should fit snugly in place.
5. Secure tightly with the four screws provided.



Cable Hook

To install the cable hook, simply slot it into the back of the fan.



OPERATING INSTRUCTIONS

Note: the buttons on the control panel mirror the buttons on the remote control.



- **On/Off:** press once on your control panel or remote to turn your fan on or off. The temperature of the room will display in the led display panel.



- **Fan Speed:** to turn the fan speed up or down, either press the fan speed button on the remote or on the control panel. The speed indicator on the led display will change to reflect the setting.



- **Oscillation:** press once on your remote or control panel to start or stop fan oscillation.



- **Modes:** press the mode button on your remote or on the control panel to set one of three modes. When a mode is active, it will illuminate on the led display.



- **Fan Mode:** the fan power will remain steady in one of the three speed settings.



- **Natural Mode:** natural mode is designed to mimic the natural flow of wind and will transition from high speed (for five seconds), to mid speed (for five seconds), to low speed (for five seconds). This cycle will repeat.



- **Night Mode:** night mode slowly reduces the fan speed until it turns off to save energy as you sleep. Once activated, the fan speed will function on high speed for 30 minutes, and will then reduce to mid speed for 30 minutes and low speed for 30 minutes before switching off.




- **Child Mode:** child mode quickly reduces the fan speed until it turns off to save energy. Once activated a timer will be set for 3 hours. The fan speed will function on high speed for 15 minutes, and will then reduce to mid speed for 15 minutes before running on low speed for the remainder of the 3 hour timer. After 3 hours have passed, the fan will turn off.



- **Timer:** you can set your fan to turn off automatically in 1 hour increments from 1-12 hours. To do this press the timer button on your remote or control panel until the correct time displays on the led display. To turn this mode off, continue pressing the timer button until the led display reverts back to the temperature.

CLEANING & STORAGE

 **WARNING: ALWAYS TURN THE APPLIANCE OFF, UNPLUG THE POWER CORD FROM THE ELECTRICAL OUTLET BEFORE HANDLING OR CLEANING IT.**

CAUTION: DO NOT ALLOW WATER OR OTHER LIQUIDS TO RUN INTO THE INTERIOR OF THE APPLIANCE, AS THIS COULD CREATE A FIRE AND/OR ELECTRICAL HAZARD.

CAUTION: DO NOT USE ANY ABRASIVE CLEANERS OR SOLVENTS, AS THIS WILL DAMAGE THE APPLIANCE.

- Clean the exterior surface of the appliance by wiping it with a soft, damp cloth. Dry the appliance with a soft clean cloth.
- To store your product out of season, we recommend using the original or similar size box.
- Do not kink or wrap the power cord and plug around the appliance, as this may cause the insulation to weaken or split, particularly where it enters the appliance.
- Store the appliance in a safe, clean and dry place when not in use.

Maintenance

The fan requires little maintenance. Do not try to fix it by yourself. Refer it to qualified service personnel if service is required.

1. To ensure adequate air circulation to the motor, keep vents at the rear of the motor free of dust. Do not disassemble the fan to remove dust.
2. Do not allow water or any other liquid into the motor housing or interior parts.

Recycling & Disposal

The packaging of your new product has a recycle mark on it. Please dispose of it as recycled paper. Waste electrical products

should not be disposed of with general household waste. This is to prevent the possible harm to the environment and human well-being. Contact your local council or government for information regarding the collection schemes in your area.





www.probreeze.com

One Retail Group, Ryland House
24a Ryland Road, London, NW5 3EH, United Kingdom

EU Authorised Representative: Brandrep Limited
The Black Church, St Mary's Pl N, Dublin, D07 P4AX, Ireland



© Copyright 2021